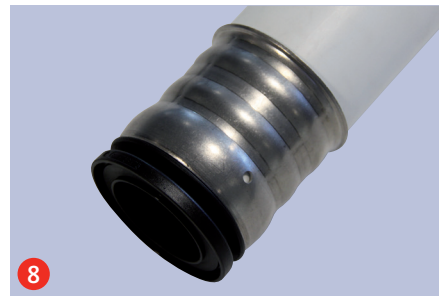
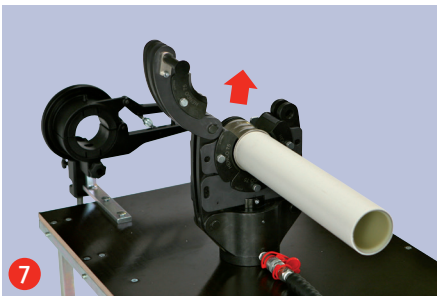
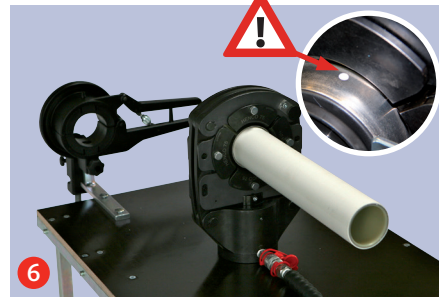
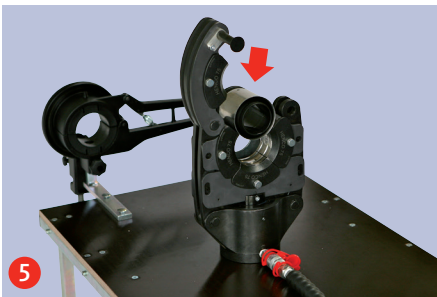
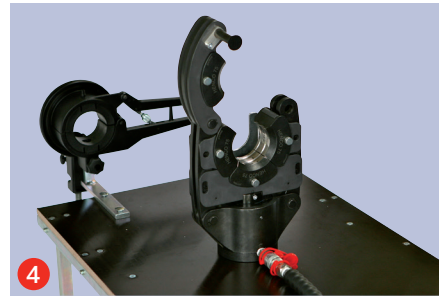
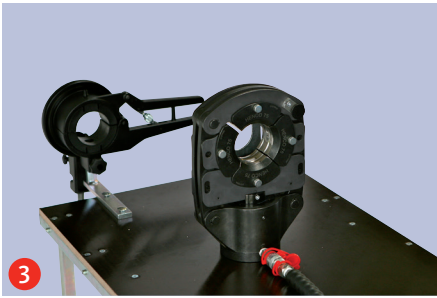
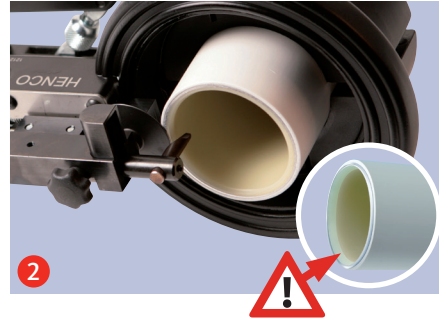
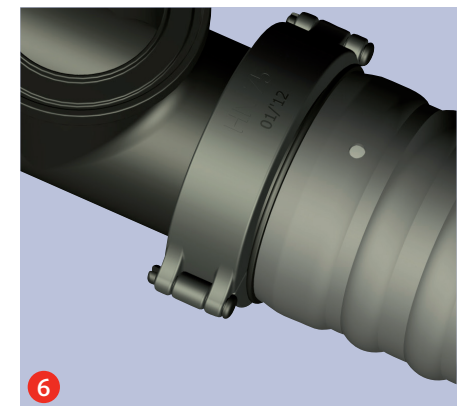
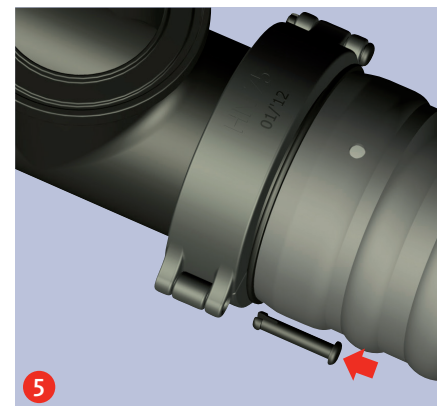
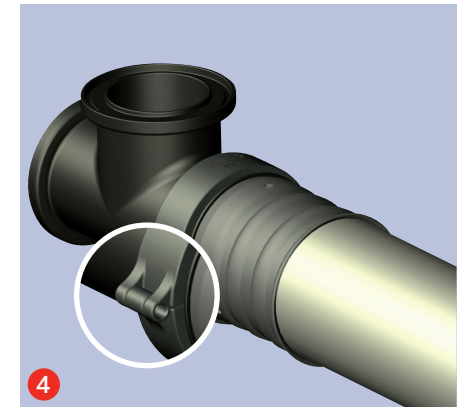
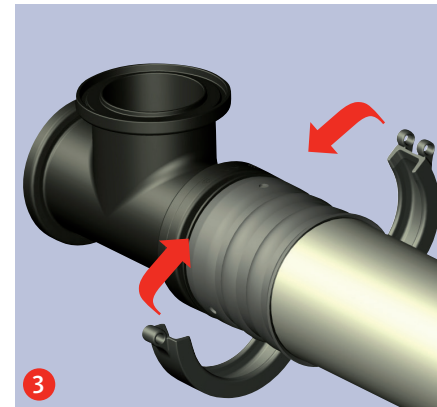
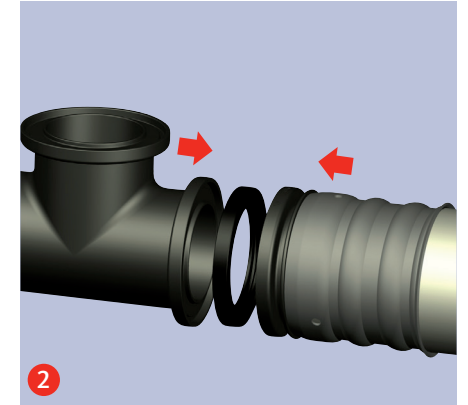
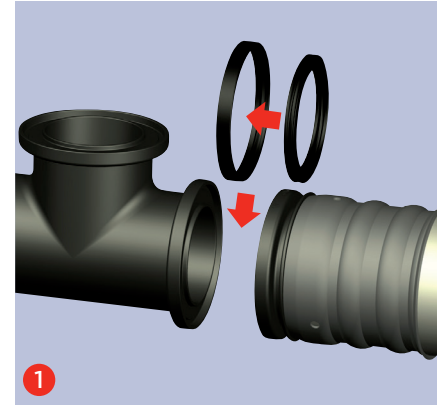


SUPER SIZE PREPARATION



SUPER SIZE ASSEMBLY

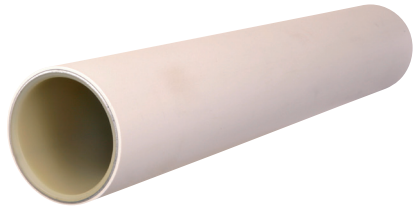


SUPER SIZE RANGE



TYPE: STANDARD Straight length

ART. NR.	Type
05-756063	Ø75
05-907076	Ø90



TYPE: 1HN Elbow 90°

ART. NR.	Type
1HN75	HN75XHN75
1HN110	HN110XHN110



TYPE: 9HN T-piece

ART. NR.	Type
9HN75	HN75XHN75XHN75
9HN110	HN110XHN110XHN110



TYPE: 27HN Elbow 45°

ART. NR.	Type
27HN75	HN75XHN75
27HN110	HN110XHN110



TYPE: 8HN Pressfitting

ART. NR.	Type
8HN75PK40	HN75X40
8HN75PK50	HN75X50
8HN75PK63	HN75X63
8HN75PK75	HN75X75
8HN110PK90	HN110X90



TYPE: 16HN Reducing coupling

ART. NR.	Type
16HN11075	HN110XHN75



TYPE: 17HN Brass adapter male

ART. NR.	Type
17HN-7510	HN75X2"
17HN-7512	HN75X2,5"



TYPE: 18HN Brass adapter female

ART. NR.	Type
18HN-7506	HN75X1"
18HN-7510	HN75X2"
18HN-7512	HN75X2,5"
18HN-11014	HN110X3"



TYPE: HNSTOP Stop end

ART. NR.	Type
HN75STOP	HN75
HN110STOP	HN110



TYPE: HN Bracket set

ART. NR.	Type
HN75	
HN110	



TYPE: HNTOOLSET

ART. NR.	Type
HNTOOLSET	



SUPER SIZE INSTRUCTIONS

SUPER SIZE TOOLING

