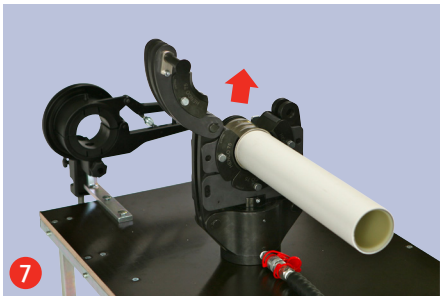
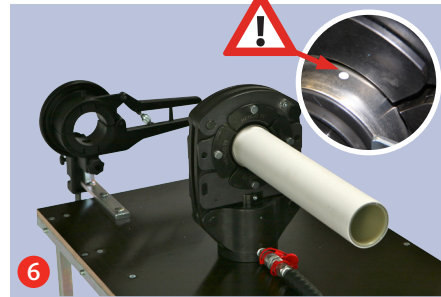
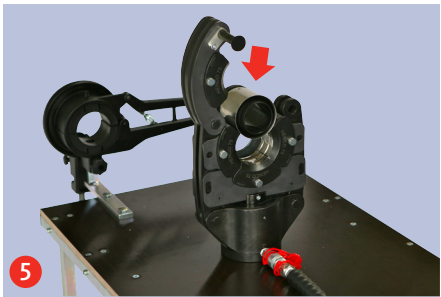
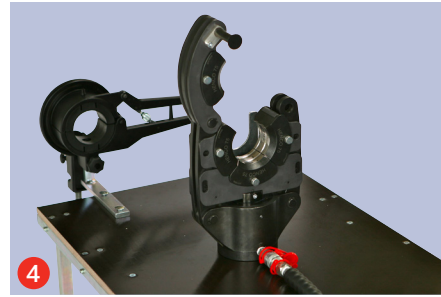
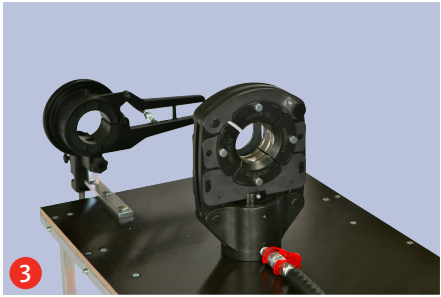
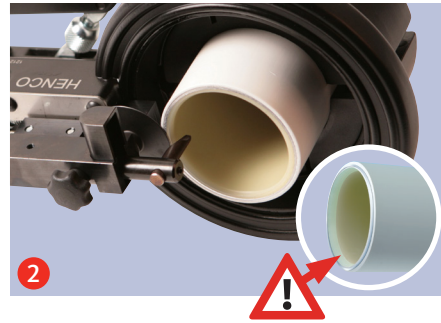
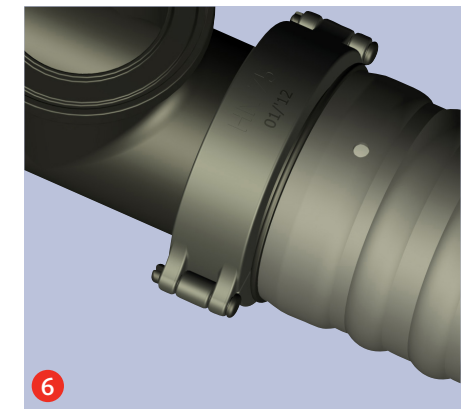
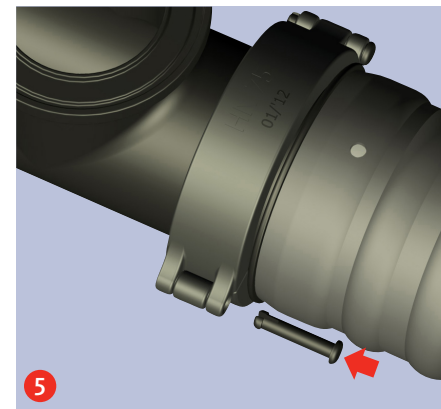
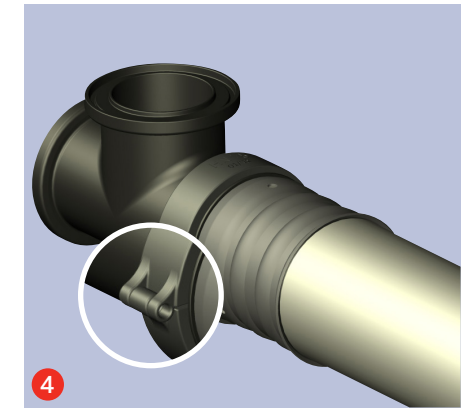
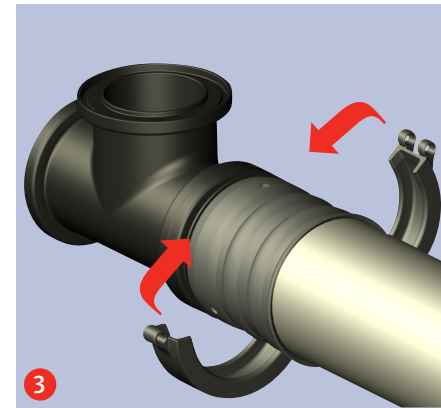
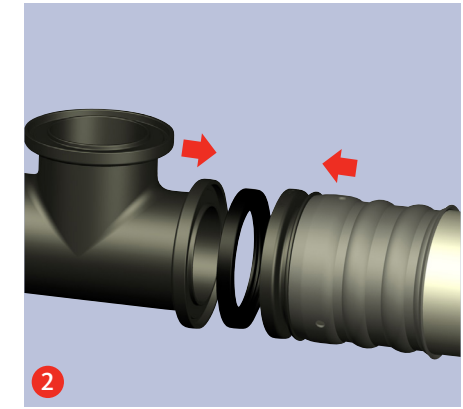
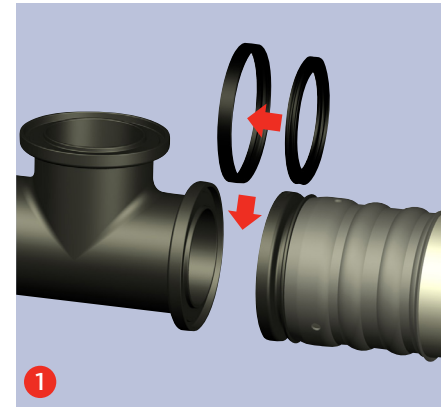


SUPER SIZE PREPARATION



SUPER SIZE ASSEMBLY



SUPER SIZE RANGE



SUPER SIZE INSTRUCTIONS

SUPER SIZE TOOLING



DO08-0003IN01

TYPE: STANDARD Straight length

ART. NR.	Type
05-756063	Ø75
05-907076	Ø90



TYPE: 1HN Elbow 90°

ART. NR.	Type
1HNA	HNAXHNA
1HNB	HNBXHNB



TYPE: 9HN T-piece

ART. NR.	Type
9HNA	HNAXHNAXHNA
9HNB	HNBXHNBXHNB



TYPE: 27HN Elbow 45°

ART. NR.	Type
27HNA	HNAXHNA
27HNB	HNBXHNB



TYPE: 8HN Pressfitting

ART. NR.	Type
8HNA-PK40	HNAX40
8HNA-PK50	HNAX50
8HNA-PK63	HNAX63
8HNA-PK75	HNAX75
8HNB-PK90	HNBX90



TYPE: 16HN Reducing coupling

ART. NR.	Type
16HNB	HNBXHNA



TYPE: HN-PEN Locking pin

ART. NR.	Type
HN-PEN	



TYPE: HN-U Sealing ring

ART. NR.	Type
HNA-U	HNA
HNB-U	HNB



TYPE: HN Bracket set

ART. NR.	Type
HNA	
HNB	



TYPE: 17HN Brass adapter male

ART. NR.	Type
17HNA-10	HNAX2"
17HNA-12	HNAX2,5"



TYPE: 18HN Brass adapter female

ART. NR.	Type
18HNA-06	HNAX1"
18HNA-10	HNAX2"
18HNA-12	HNAX2,5"
18HNB-14	HNBX3"



TYPE: HNTOOLSET

ART. NR.	Type
HNTOOLSET	

